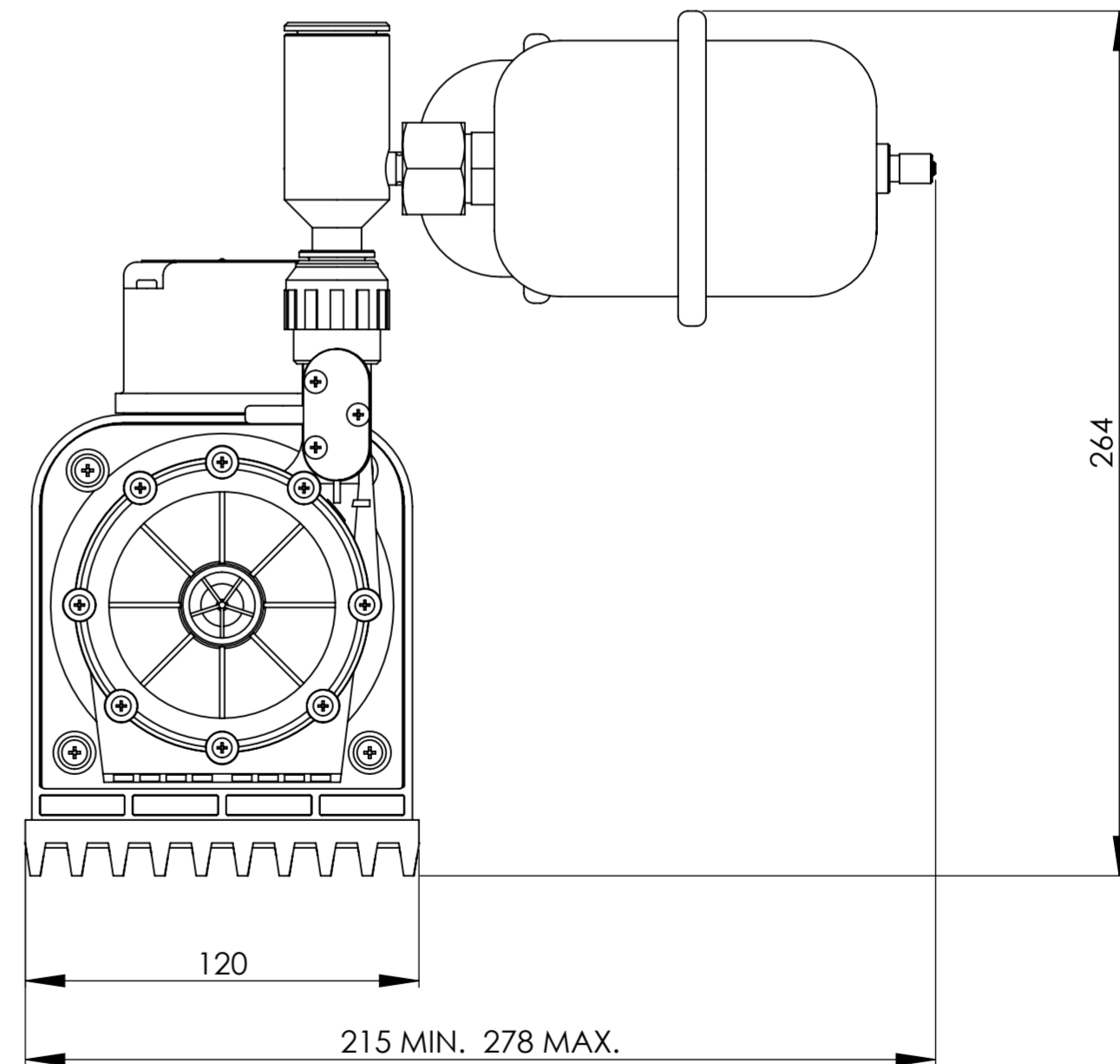
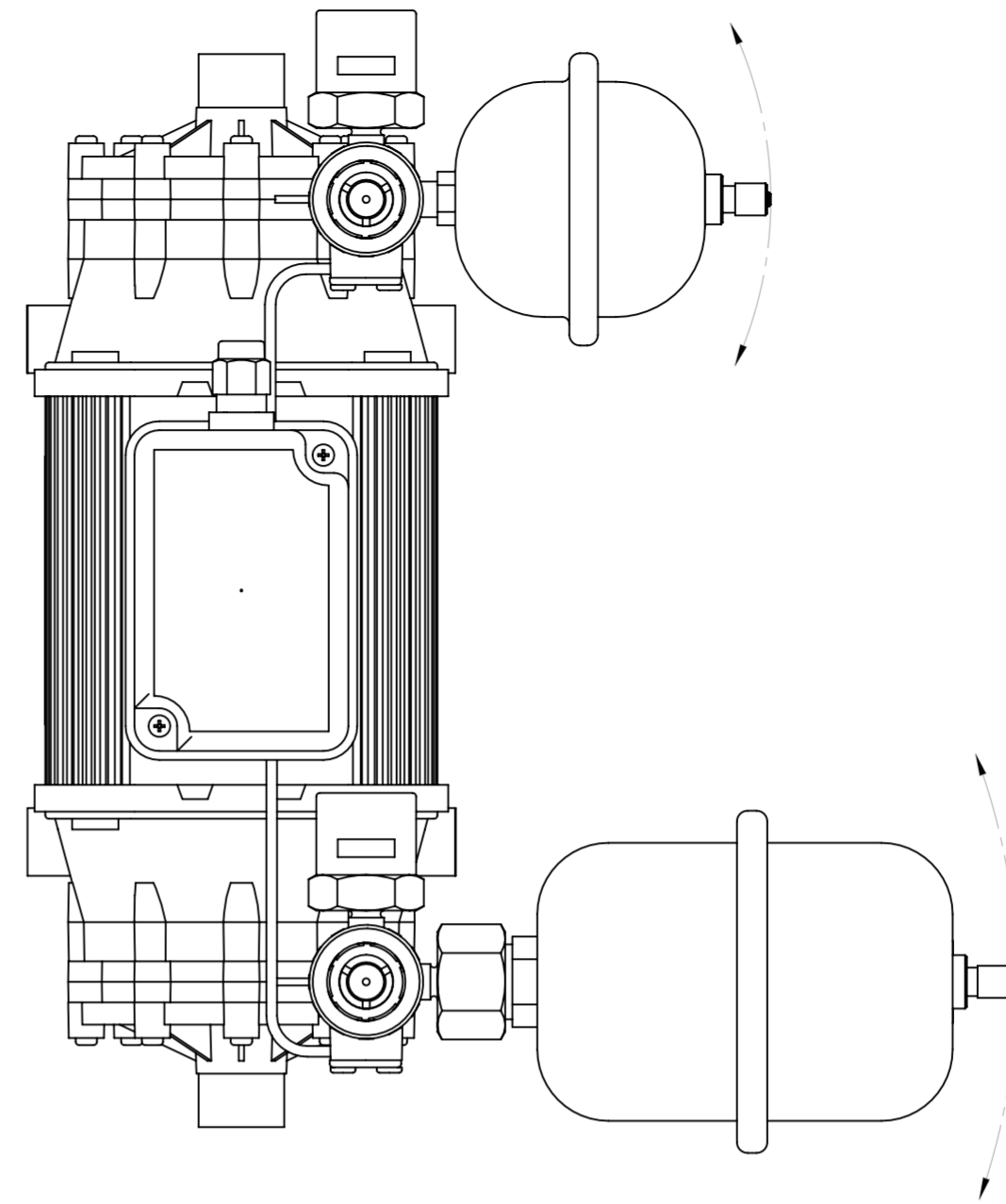
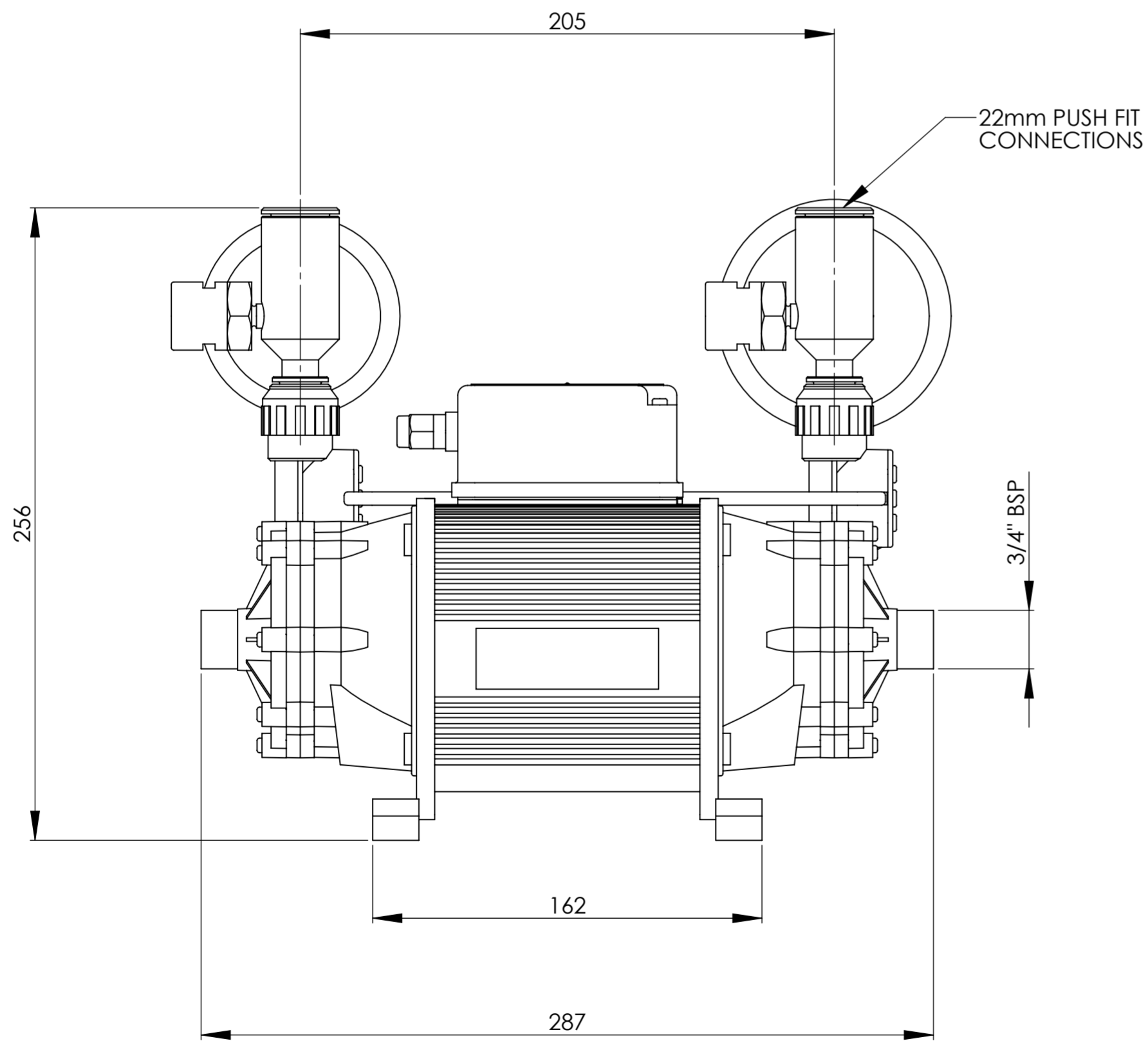


THIRD ANGLE PROJECTION



01	ORIGINAL ISSUE	12/12/07	
ISSUE	MODIFICATION	DATE	ECR No.

UNLESS OTHERWISE SPECIFIED: DIMENSIONS ARE IN MILLIMETERS SURFACE FINISH: TOLERANCES: LINEAR: X= ±0.3; 0.X ±0.2; 0.XX=±0.1 ANGULAR: ±0.5 DEG				DO NOT SCALE DRAWING		<b>WATERMILL</b> A GRUNDFOS COMPANY Gemini House, Enterprise Way, Edenbridge. Kent. TN8 6HF.	
FINISH:		DEBUR AND BREAK SHARP EDGES		TITLE: LOW VOLTAGE CENTRIFUGAL NEGATIVE HEAD PUMP - LINE DRAWING - WITHOUT HOSES		DWG NO. 9023	
NAME	SIGNATURE	DATE	MATERIAL:	DRAWN: R.P.		A2	
CHK'D			WEIGHT:	SCALE:		SHEET 1 OF 1	